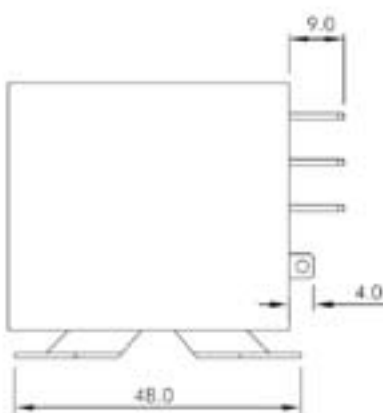
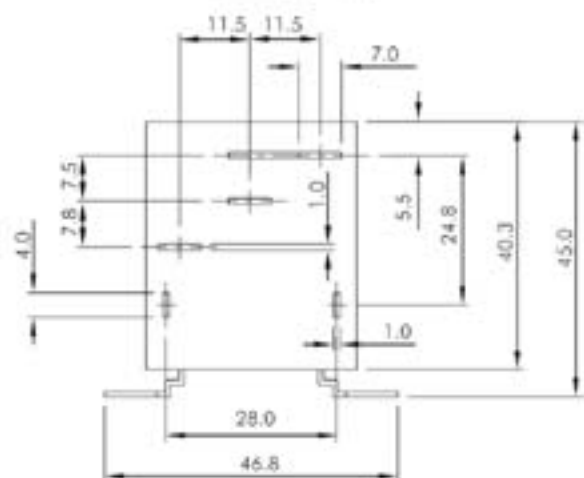
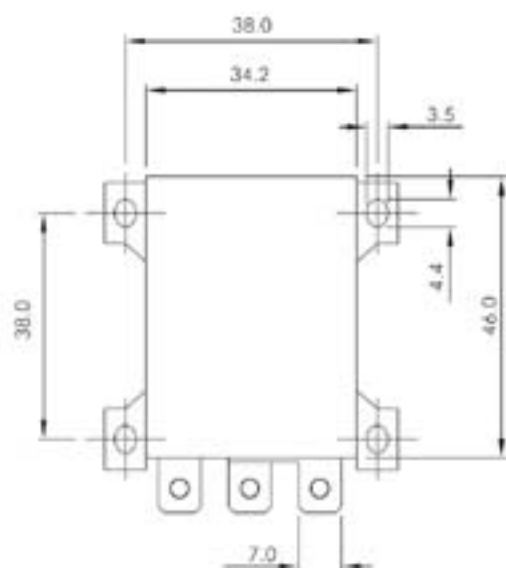


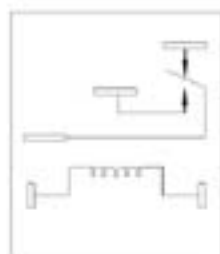


Series JR1

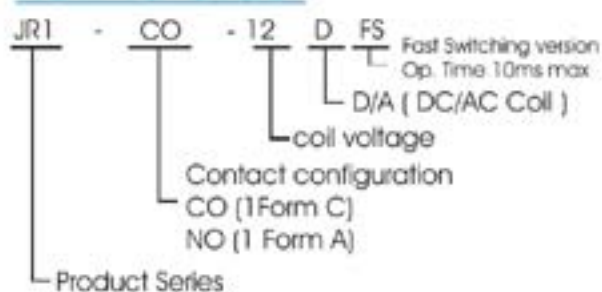
- Universal mounting clamp
- Non Plastic high temp. withstanding base
- Insert moulded terminals
- Screw / Solder / Q.C(6.3mm)Type Terminals



Electrical Diagram



How To Order



Contact Specifications

- 1) Configuration : 1 CO (1Form C)
1 NO (1 Form A)
- 2) Contact Rating : 30A at 240 VAC/24VDC (Resistive) (Higher AC voltage Contact rating Model also available)
- 3) Contact Resistance : 100 mohm max (initial)
- 4) Contact Material : Silver Alloy

General Performance

- 1) Operate time : 30 msec max
Fast Switching version : 10 msec max
- 2) Release time : 10 msec max
- 3) Life Expectancy
Electrical : 5x10⁴ Operations at rated load
Mechanical : 10⁶ Operations
- 4) Dielectric Strength
Between Open Contacts : 1000 VAC
Between Coil & Contact : 2000 VAC
Between Any terminal & earth : 2000 VAC
- 5) Insulation Resistance : 1000 Mohm min at 500VDC, 25°C & RH 50
- 6) Temp. Range : -40°C to + 70°C
- 7) Weight : 110 gms (approx.)
- 9) Mounting : Chassis mounting

Coil Data (at 25°C)

Nominal coil voltage (VDC)	Coil resistance ohms(+/- 10%)		Pick up voltage max. (V DC)	Drop out voltage min.(VDC)
	CO	NO		
12V	100	120	80 % of nominal voltage	10 % of nominal voltage
18V	225	270		
24V	400	480		
Nominal coil power approx. (W)	1.4 W	1.2 W		

Various coil voltages available.
AC coils also available
Pick up Voltage for AC coil relays 85% max. Of nominal coil voltage

TARA RELAYS PVT. LTD.

3, 2nd flr. Supreme Industrial Estate,
Aranyeshwar corner, Satara Road. Pune- 411009
Tel: 91-20-24223976 Tele Fax: 91-20-24223978,
e-mail: info@tararelays.com Website: www.tararelays.com

All dimensions in mm. Tolerance ± 0.2 mm
Specifications subject to change without notice.